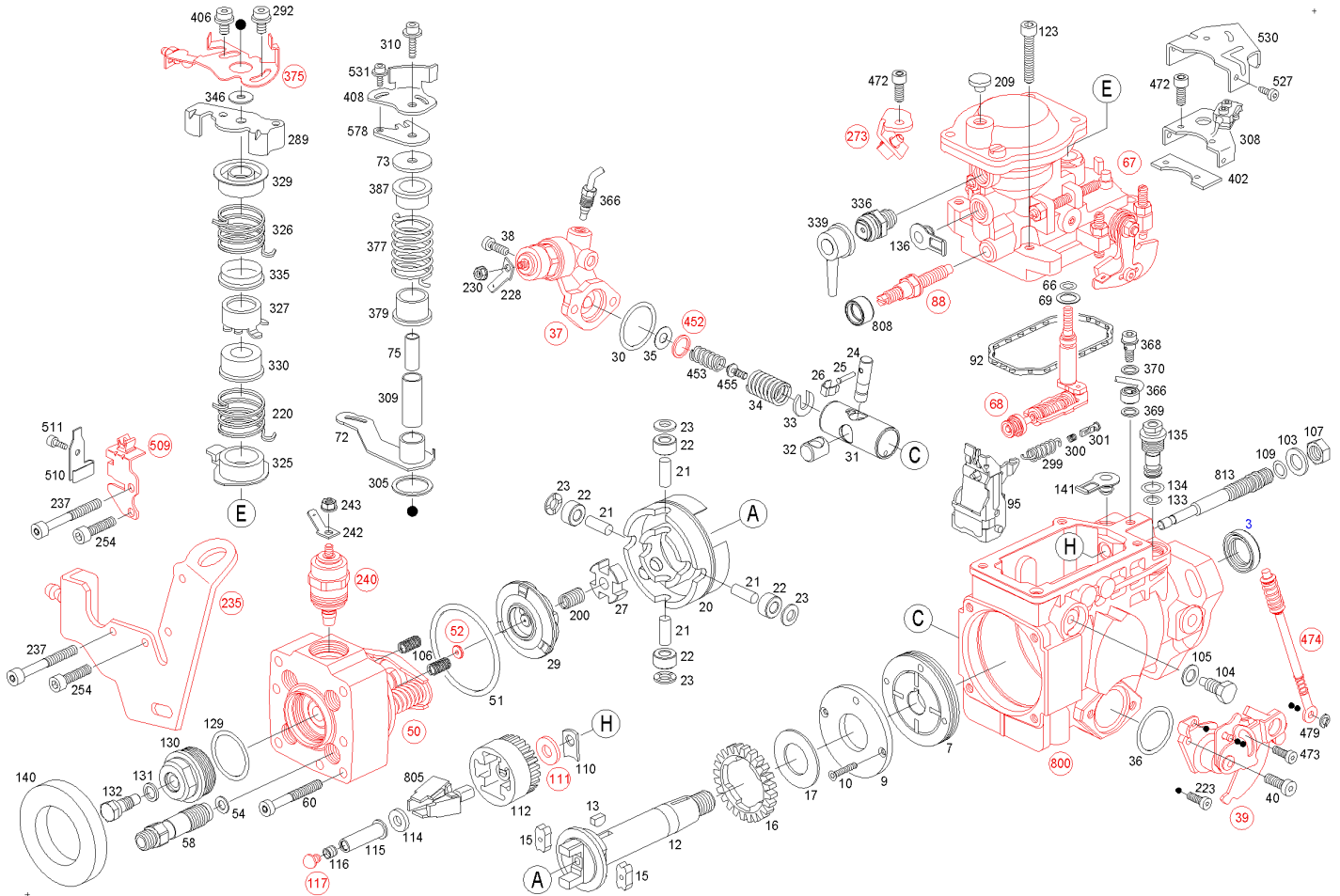


# Replacing Parts

Product

0 460 494 347 - Distributor injection pump - VE4/9F2300R433-12



Position	Order number	Info	Quantity	Designation
3	1 460 283 310	A	1	SHAFT SEALING RING
7	1 467 030 309	B	1	SUPPLY PUMP
9	1 460 134 317	B	1	SUPPORT RING
10	1 463 429 300	B	2	TORX FLAT-HEAD SCREW
12	1 466 100 310	B	1	DRIVE SHAFT
13	1 460 023 302	B	1	WOODRUFF KEY
15	1 460 056 302	A	2	BUFFER
16	1 466 317 301	B	1	TOOTHED GEAR
17	2 460 102 001	B	1	SLIDING DISK
20	1 460 232 336	B	1	ROLLER RING
21	2 463 100 002	B	4	BEARING PIN
22	2 460 300 005	B	4	ROLLER
23	2 460 120 013	B	4	FRICTION WASHER
24	1 463 103 316	B	1	ADJUSTING PIN
25	1 463 120 359	B	1	RETAINING PIN
26	1 461 310 300	B	1	RETAINING BRACKET

27	1 460 140 337	B	1	CROSS DISK
29	1 466 110 426	A	1	CAM PLATE
30	1 460 210 300	A	1	SEAL RING
31	1 463 104 564	B	1	TIMING-DEVICE PISTON
32	1 463 218 312	B	1	SLIDING PIECE
33	1 460 144 302	B	1	SHIM RING
34	1 464 618 934	A	1	COMPRESSION SPRING
35	1 460 100 178	B	1	PLAIN WASHER
36	1 460 210 300	A	1	SEAL RING
<b>37</b>	<b>1 467 414 432</b>	<b>B</b>	<b>1</b>	<b>SOLENOID-OPERATED VALVE</b>
38	1 463 414 344	B	2	TORX FILLISTER SCREW
<b>39</b>	<b>1 465 530 825</b>	<b>B</b>	<b>1</b>	<b>FITTING COVER</b>
40	1 463 414 344	B	2	TORX FILLISTER SCREW
<b>50</b>	<b>1 468 334 677</b>	<b>A</b>	<b>1</b>	<b>HYDRAULIC HEAD</b>
51	1 900 210 154	A	1	O-RING
<b>52</b>		<b>Z</b>	<b>1</b>	<b>SELECTION GROUP SHIM</b>
54	1 460 105 305	A	4	GASKET
58	1 463 370 646	B	4	FITTING
60	1 463 414 312	B	1	TORX FILLISTER SCREW
66	1 460 210 008	A	1	O-RING
<b>67</b>	<b>1 467 134 952</b>	<b>B</b>	<b>1</b>	<b>MANIFOLD-PRESSURE COMP.</b>
<b>68</b>	<b>1 463 163 255</b>	<b>B</b>	<b>1</b>	<b>PART LOAD GOVERNOR</b>
69	1 200 101 640	B	1	SHIM
72	1 461 900 648	B	1	CONTROL LEVER
73	1 460 100 893	B	1	PLAIN WASHER
75	1 463 300 317	B	1	CONNECTING NUT
<b>88</b>		<b>Z</b>	<b>1</b>	<b>ADJUSTING SCREW</b>
92	1 461 015 301	A	1	GASKET
95	1 461 907 762	B	1	FULCRUM LEVER
103	2 916 012 017	B	1	PLAIN WASHER, DIN 433 - 10,5-160 HV
104	1 463 452 313	B	2	SLOTTED SHOULDER SCREW
105	1 460 105 307	A	2	GASKET
106	1 464 613 611	A	2	COMPRESSION SPRING
107	1 463 300 304	B	1	HEXAGON NUT
109	1 460 210 324	A	1	O-RING
110	1 461 030 343	B	1	SHIM PLATE, 0,95 MM
<b>111</b>		<b>Z</b>	<b>1</b>	<b>SELECTION GROUP SUPPORTING DISK</b>
112	1 466 317 319	B	1	FLYWEIGHT ASSEMBLY
114	1 460 100 370	B	1	SHIM RING
115	1 460 422 407	B	1	SLIDING SLEEVE
116	1 460 508 309	B	1	SEALING CAP
<b>117</b>	<b>1 463 203 907</b>	<b>B</b>	<b>1</b>	<b>SELECTION GROUP PLUG</b>
123	2 910 142 207	B	4	HEX-SOCKET-HEAD CAP SCREW, ISO 4762 - M6x35-8.8
129	1 460 210 316	A	1	O-RING
130	1 463 461 306	B	1	SCREW PLUG
131	1 460 105 306	A	1	FLAT SEAL RING

132	1 463 453 306	B	1	BLEEDER SCREW
133	1 460 210 325	A	1	O-RING
134	1 460 210 007	A	1	O-RING
135	1 460 362 301	B	1	CONTROL VALVE
136	2 410 508 006	B	1	PROTECTIVE CAP
140	1 460 591 315	B	1	PROTECTIVE CAP
141	2 410 508 006	B	1	PROTECTIVE CAP
200	1 464 618 999	A	1	COMPRESSION SPRING
209	1 900 508 202	B	1	PROTECTIVE CAP
220	1 464 651 449	A	1	COILED SPRING
223	2 912 702 150	B	1	CHEESE HEAD SCREW
228	1 464 477 311	B	1	BLADE TERMINAL
230	1 463 314 306	B	1	FLANGE NUT
<b>235</b>	<b>1 461 021 446</b>	<b>B</b>	<b>1</b>	<b>SUPPORT PLATE</b>
237	1 463 414 305	B	3	TORX FILLISTER SCREW
<b>240</b>	<b>0 330 001 041</b>	<b>B</b>	<b>1</b>	<b>PUSHING ELECTROMAGNET</b>
242	1 464 477 325	B	1	BLADE TERMINAL
243	1 463 314 306	B	1	FLANGE NUT
254	2 910 142 203	B	3	HEX-SOCKET-HEAD CAP SCREW, ISO 4762 - M6x25-8.8
<b>273</b>	<b>1 461 331 347</b>	<b>B</b>	<b>1</b>	<b>HOLDING BRACKET</b>
289	1 461 900 596	B	1	SWITCH LEVER
289	1 461 900 595	B	1	SWITCH LEVER
292	1 463 433 312	B	1	WASHER-AND-SCREW ASSEMBLY
299	1 464 650 442	A	1	EXTENSION SPRING
299	1 464 650 407	A	1	EXTENSION SPRING
300	1 464 610 804	A	1	COMPRESSION SPRING
301	1 463 159 306	B	1	RETAINING PIN
305	1 460 101 375	B	1	PLAIN WASHER
308	1 467 209 712	B	1	MICROSWITCH
309	1 460 370 302	B	1	INTERMEDIATE BUSH
310	1 463 433 313	B	1	WASHER-AND-SCREW ASSEMBLY
325	1 460 522 328	B	1	SPRING SEAT
326	1 464 651 449	A	1	COILED SPRING
327	1 460 422 386	B	1	STOP
329	1 460 522 302	B	1	SPRING SEAT
330	1 460 522 306	B	1	SPRING SEAT
335	1 460 522 303	B	1	SPRING SEAT
336	1 463 386 301	B	1	VENT FITTING
339	1 460 558 303	B	1	PROTECTIVE CAP
346	1 460 100 893	B	1	PLAIN WASHER
366	1 460 793 359	B	1	CONNECTING PIPE
368	1 463 456 363	B	1	HOLLOW BOLT
369	2 916 710 602	A	1	FLAT SEAL RING, DIN 7603 - A6x10-Cu
370	1 460 105 313	A	1	FLAT SEAL RING
<b>375</b>	<b>1 461 901 591</b>	<b>B</b>	<b>1</b>	<b>CONTROL LEVER</b>
377	1 464 651 472	A	1	COILED SPRING

379	1 460 522 319	B	1	SPRING SEAT
387	1 460 522 320	B	1	SPRING SEAT
402	1 461 098 355	B	1	BACKING PLATE
406	1 463 433 310	B	1	WASHER-AND-SCREW ASSEMBLY
408	1 461 331 345	B	1	STOP BRACKET
<b>452</b>		<b>Z</b>	<b>1</b>	<b>SELECTION GROUP SHIM</b>
453	1 464 616 933	B	1	COMPRESSION SPRING
453	1 464 616 932	B	1	COMPRESSION SPRING
453	1 464 616 931	B	1	COMPRESSION SPRING
455	1 463 219 304	A	1	CONTROL SPOOL
472	2 912 702 197	B	3	CHEESE HEAD SCREW
473	1 463 414 313	B	1	TORX FILLISTER SCREW
<b>474</b>	<b>1 463 022 307</b>	<b>B</b>	<b>1</b>	<b>GUIDE ROD</b>
479	2 916 089 956	B	1	LOCKING WASHER, DIN 6799 - 3,2-FSt
<b>509</b>	<b>1 461 334 376</b>	<b>B</b>	<b>1</b>	<b>MOUNTING BRACKET</b>
510	1 461 305 002	B	1	TENSIONING BRACKET
511	2 912 732 152	B	1	CHEESE HEAD SCREW
527	1 463 433 321	B	3	WASHER-AND-SCREW ASSEMBLY
530	1 461 321 308	B	1	GUARD PLATE
531	1 463 433 321	B	1	WASHER-AND-SCREW ASSEMBLY
578	1 461 098 356	B	1	BACKING PLATE
<b>800</b>	<b>1 465 130 782</b>	<b>A</b>	<b>1</b>	<b>ASSEMBLY OF SERVICE PARTS PUMP HOUSING</b>
805	1 467 010 054	B	1	PARTS SET FLYWEIGHT
808	1 460 591 313	B	1	SEALING CAP, RED
813	1 463 590 901	B	1	ASSEMBLY OF SERVICE PARTS GOVERNOR SHAFT
<b>822</b>		<b>Z</b>	<b>2</b>	<b>SELECTION GROUP SHIM RING</b>

Explanations

A	Wear part
B	Service part
Z	Not a service part